



70S - 132S Sun Louvre

**HunterDouglas**

SUN CONTROL





# Luxalon® Aluminium Sun Louvre 70S

A versatile advanced design, providing systems for open wall cladding, sun louvres and ventilation screens.

The panels have the same profile and are available in two dimensions: 70S with a height of 70 mm and 132S, being 132 mm high.

These functional, yet aesthetically pleasing profiles can be installed at any module depending on the requirements of each specific application.

Special Luxalon® mounting brackets are provided which ensure a secure installation of the

panels.

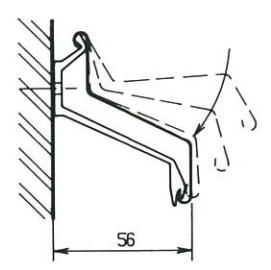
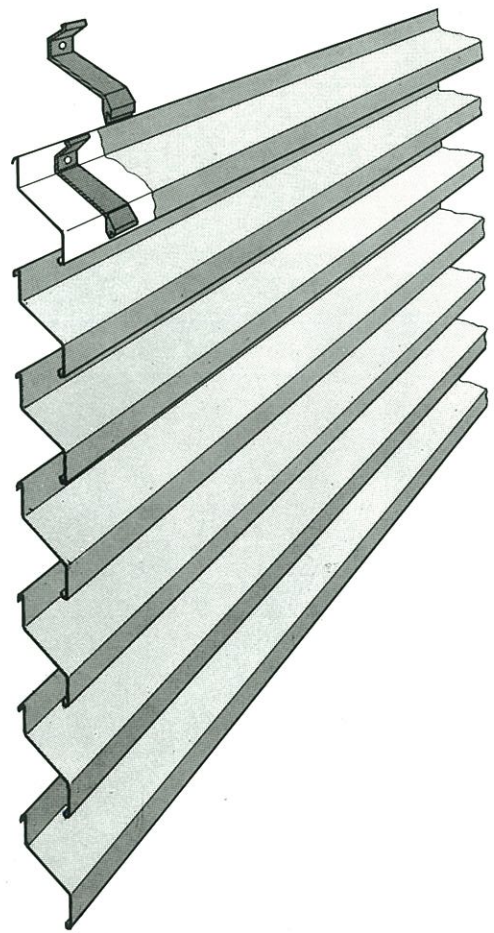
When installed as a vertical Sun Louvre this system offers an effective and simple way to protect a building and its occupants against direct solar radiation.

The interception of direct sunrays onto the window glass prevents excessive heat through solar gain. Intensive sunlight is reduced and the rooms are more evenly illuminated by diffused light.

The open construction does not obstruct the view or the natural airflow and pockets of hot air will not build up along the facade. In projects where airconditioning is

incorporated the application of Luxalon® Sun Louvres will reduce the operating costs.

This Luxalon® louvre system can also be applied for ventilation screens and offers an effective solution for creative installation such as open facade constructions in, for example, multi storey car parks.



Windload N/m <sup>2</sup>	Panel span type 70S in mm	
	$\frac{\Delta \Delta}{\Delta \Delta \Delta}$	$\frac{\Delta \Delta \Delta \Delta \Delta}{\Delta \Delta \Delta \Delta \Delta \Delta}$
600	1550	1770
800	1340	1535
1000	1200	1370
1200	1095	1250
1400	1015	1160
1600	950	1085
1800	895	1020
2000	850	970

MODULE - SUN ANGLE TABLE 70S		
	MODULE in mm	SUN ANGLE $\alpha$
	70	0°
	75	7°
	80	14°
	85	20°
	90	25°
	95	30°
	100	35°
	105	39°
	110	43°
	115	46°
	120	49°
	125	51°
	130	54°
	135	56°
	140	57°

# Luxalon® Aluminium Sun Louvre 132S

## MATERIAL SPECIFICATION

### Panels

70S, 70 mm high and 47.5 mm wide

132S, 132 mm high and 105.5 mm wide

(See cross sections).

Both made of 0.6 mm thick enamelled aluminium.

Panel length up to approx. 6 m.

### Panel brackets

25 mm wide, made of extruded aluminium, provided with holes 4 mm for the connection to the understructure (see cross sections).

The 70S bracket is black anodized 20 microns.

The 132S bracket is natural anodized 20 microns.

### Sun angle

Depending on the required shading effect, the sun angle  $\alpha$  and the resulting panel module can be determined.

The tables for 70S and 132S show the relation between the sun angle and the panel module.

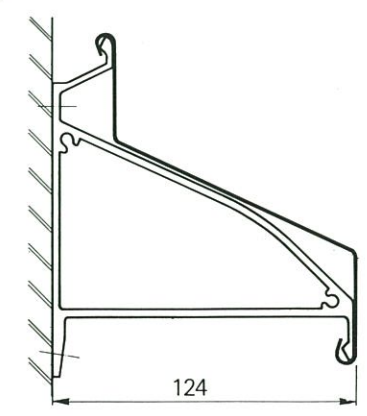
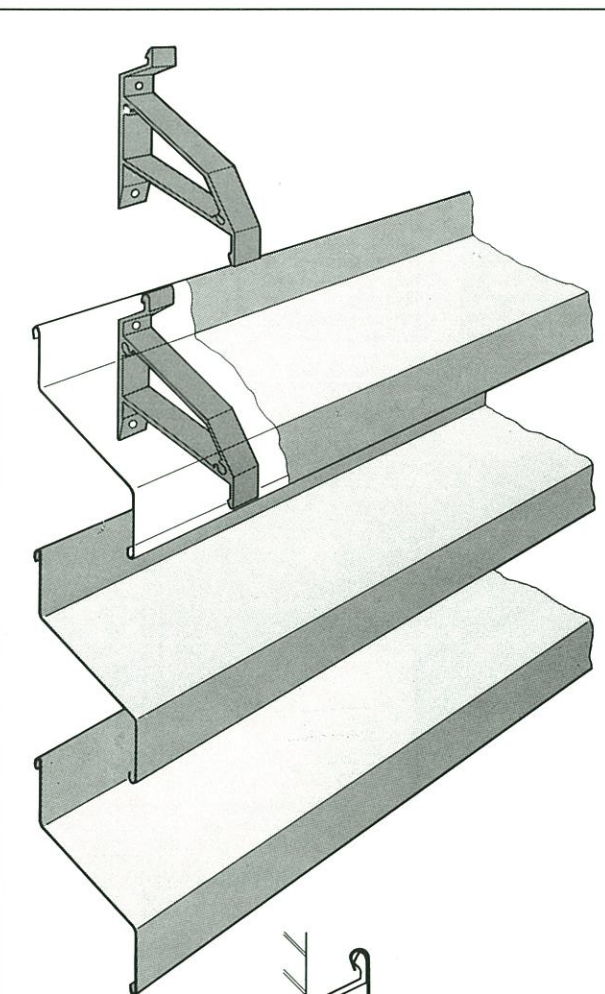
### Panel span calculation

The panel span is the distance between the supporting

understructure. The distance depends on the applicable windload. For design purposes the tables show the relation between windload, the statical system and the max. admissible panel span.

### Note

For corners, roof edges, special designs, etc. the wind load should be determined with due consideration to the Standard Codes of Building Practice. The same applies to snowload. In case of doubt, please consult Hunter Douglas.



Windload N/m <sup>2</sup>	Panel span type 132S in mm	
	$\frac{\Delta \Delta}{\Delta \Delta \Delta}$	$\frac{\Delta \Delta \Delta \Delta \Delta}{\Delta \Delta \Delta \Delta \Delta \Delta}$
600	2200	2400
800	1900	2120
1000	1650	1820
1200	1440	1600
1400	1290	1430
1600	1170	1300
1800	1080	1190
2000	1000	1100

MODULE - SUN ANGLE TABLE 132S		
	MODULE in mm	SUN ANGLE $\alpha$
	132	0°
	140	5°
	150	10°
	160	15°
	170	20°
	180	25°
	190	30°
	200	34°
	210	38°
	220	41°
	230	44°
	240	47°
	250	50°
	260	52°
	270	54°
	280	56°



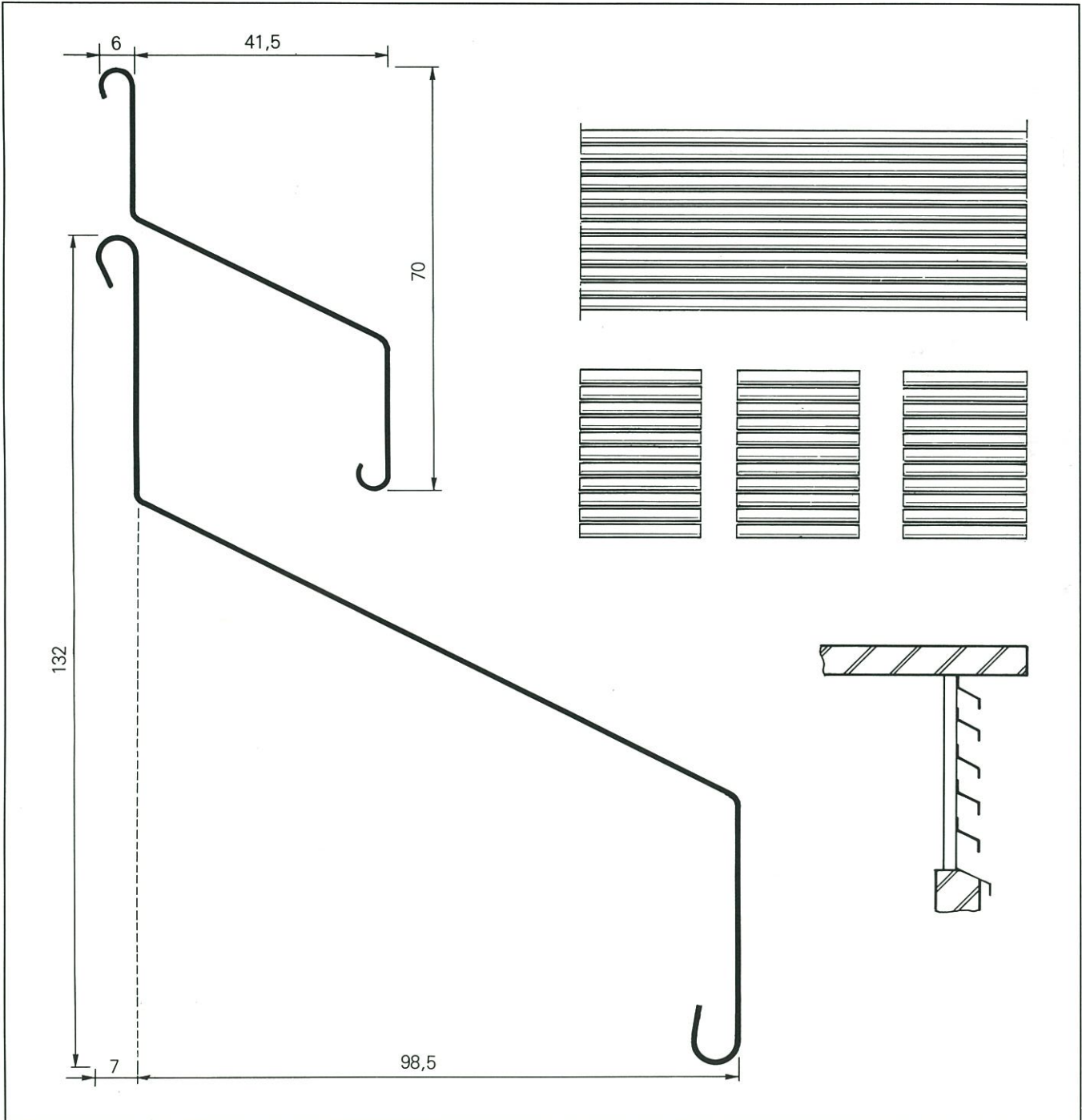
**SHORT FORM SPECIFICATIONS**

\_\_\_\_\_ m<sup>2</sup> Luxalon® aluminium louvres type 70S (132S) consisting of: Panels made of 0.6 mm thick aluminium alloy AA 5050  
 47.5 mm wide, 70 mm high (70S)  
 105.5 mm wide, 132 mm high (132S)  
 to be installed at a panel module of \_\_\_\_\_ mm by means of anodized aluminium brackets, belonging to the

system. Supply and fix according to the instructions of Hunter Douglas.

**Applications**

- Continuous
- In front of separate windows.
- Open facade constructions.



**HunterDouglas**

**HUNTER DOUGLAS (MALAYSIA) SDN. BHD.** (6929 M)  
 Lot 493, Persiaran Kuala Selangor, Section 26, 40400 Shah Alam, Selangor Darul Ehsan, Malaysia.  
 Tel. (03)-5191 2020 Fax. (03) 5191 2885  
 Email: luxalon@hunterdouglas.com.my Website: www.luxalon.com.my



**LUXALON**  
 SUN CONTROL SYSTEMS

\* Registered trade mark - a Hunter Douglas® product. Pat. & Pats. Technical data subject to change without notice. 58.05.02